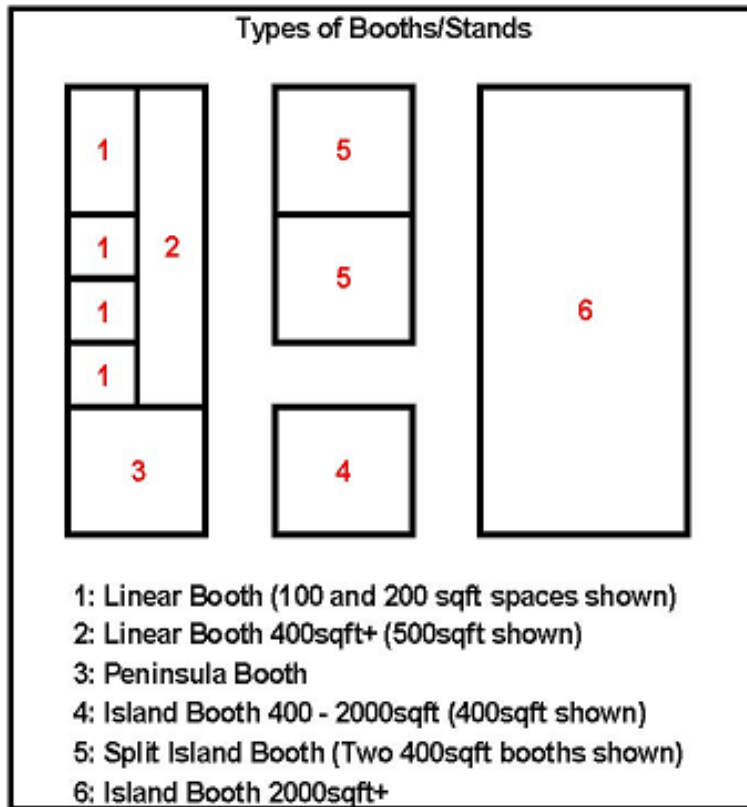


## Exhibit Space & Booth Layout Guidelines



**Exhibit Space & Booth Display Rules**  
 The following display rules have been designed using the **IAEE (International Association of Exhibitions and Events)** guidelines and modified to incorporate some of the needs of the many International exhibitors who are present at PennWell exhibitions. Every attempt has been made to maintain fairness to exhibitors in booths of all sizes and to maintain clear lines of sight to neighboring booths. These rules will be enforced in the exhibit hall and you must have written approval from PennWell to display anything that does not adhere to the limits set forth in this document. If you have any questions regarding these display rules, please contact one of your Exhibitor Services Managers: [Michael Donnell](mailto:michaeld@pennwell.com) ([michaeld@pennwell.com](mailto:michaeld@pennwell.com) or by phone at +1 918-831-9707). For exhibitors outside North or South America, please contact [Claudette Hultzer](mailto:claudetteh@pennwell.com) at [claudetteh@pennwell.com](mailto:claudetteh@pennwell.com), or by

phone at +44 1992 656 637.

### General notes:

- Flooring, which covers the entirety of your exhibit space, is mandatory but not provided with your exhibit space purchase. If you are not providing your own flooring for your booth, you must rent carpet from the show's General Service Contractor. Please refer to the Exhibitor Manual for more information
- Under no circumstances may machinery or any part of an exhibitor's display extend outside of the boundary of said exhibitor's contracted exhibit space regardless of the height clearance from the floor of said item. This rule also applies to lights, speakers, and hanging signs.
- Show Management reserves the right to "force carpet" any exhibit area that is without flooring within two hours before the end time for booth move-in/setup. Exhibitor is responsible for the flooring cost.
- To maintain a professional appearance of the exhibit hall, booths must have back sides of displays covered when visible from an aisle (eg: panels on the back side of a pop-up structure in an island booth to cover the frame).
- Utility connections (electrical or internet wires, air/water/gas hoses, etc) must be hidden from view in order to maintain a high level of safety and professional appearance.
- Unless explicitly contracted with Show Management, booth spaces are unfurnished. Please refer to Exhibitor Manual to rent booth furniture.

## EXHIBIT BOOTH EXAMPLES

### Linear Booth

Linear Booths have only one side exposed to an aisle and are generally arranged in a series along a straight line. They are also called “in-line” booths.

#### **Dimensions**

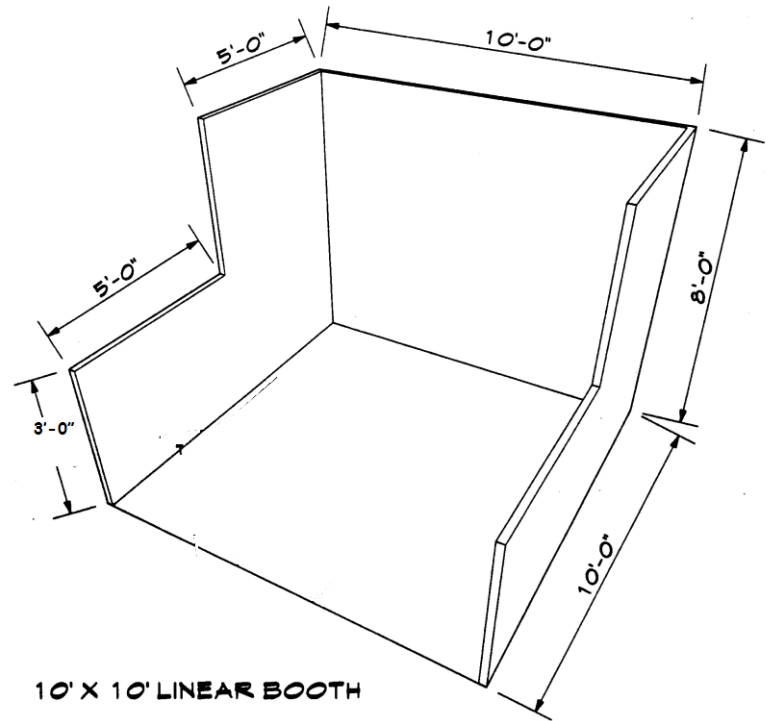
To maintain consistency and for ease of layout and/or reconfiguration, floor plan design in increments of 10 ft (3.05m) has become the standard. Therefore, Linear Booths are most commonly 10 ft (3.05m) wide and 10 ft (3.05m) deep (10' x 10').

Maximum backwall height limit: 8 ft (2.5m)

#### **Use of Space**

Regardless of the number of Linear Booths utilized, display materials should be arranged in such a manner so as not to obstruct sight lines of neighboring exhibitors. The maximum height of 8 ft (2.44m) is

allowed only in the rear half of the booth space, with a 3 ft (0.91m) height restriction imposed on all materials in the remaining space forward to the aisle. Please contact your exhibit services managers regarding any equipment or display that will be higher than 8ft.



### Corner Booth

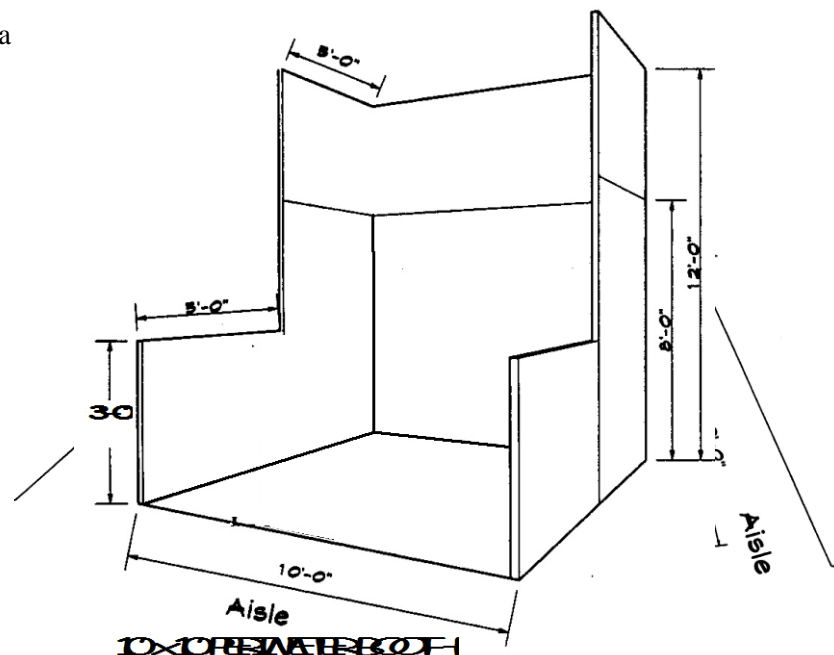
A Corner Booth is a Linear Booth exposed to aisles on two sides. All other guidelines for Linear Booths apply.

### Perimeter Booth

A Perimeter Booth is simply a Linear Booth that backs to a wall of the exhibit facility rather than to another exhibit.

#### **Dimensions and Use of Space**

All guidelines for Linear Booths apply to Perimeter Booths except that the typical maximum backwall height is 12 ft (3.66m).



### Peninsula Booth

A Peninsula Booth is exposed to aisles on three (3) sides and composed of a minimum of four (4) 10'x10' booths. There are two types of Peninsula Booths: (a) one which backs up to Linear Booths, and (b) one which backs to another Peninsula Booth and is referred to as a "Split Island Booth."

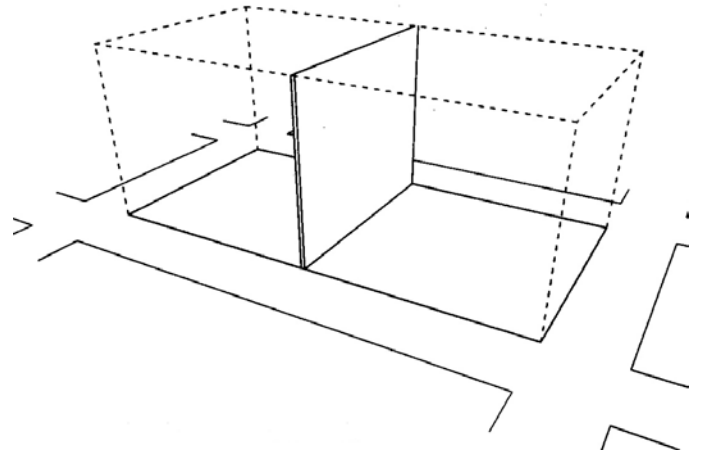
### **Dimensions:**

A Peninsula Booth is usually 20'x20' (6.1m x 6.1m) or larger. When a Peninsula Booth backs up to two Linear Booths, the backwall is restricted to 3 ft (0.91m) high within 5 ft (1.52m) of each aisle, permitting adequate line of sight for the adjoining Linear Booths. Overhead hanging signs or banners up to 16 ft (4.88m) may be permissible with show management approval.

### Split Island Booth

A Split Island Booth is a booth which shares a common backwall with another booth. The entire cubic content of this booth may be used, up to the maximum allowable height, without any back wall line of sight restrictions. 16 ft (4.88m) is a typical maximum height allowance, including signage. The entire cubic content of the space may be used up to the maximum allowable height. Exposed back walls must be finished in white and have no company branding.

*\*the minimum size requirement for a Split Island Booth is 400 sq ft.*



### Island Booth

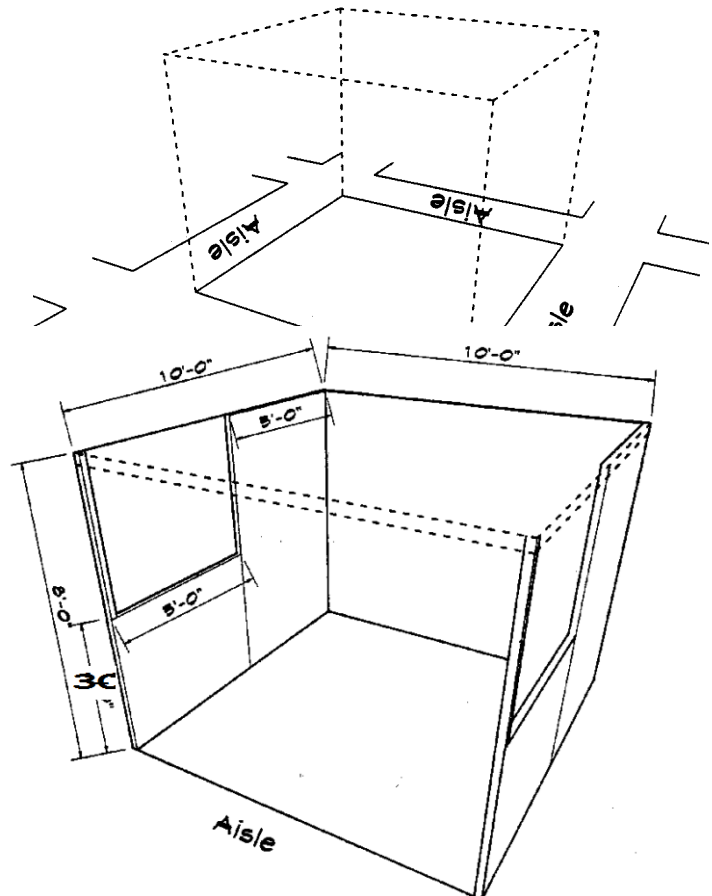
An Island Booth is any size booth exposed to aisles on all four sides.

### **Dimensions**

An Island Booth is typically 20 ft x20 ft (7.75m x 7.75m) or larger, although it may be configured differently.

### **Use of Space**

The entire cubic content of the space may be used up to the maximum allowable height, which is usually 20 ft (6.1m), including signage.



### Other Important Considerations

#### **Line of Sight - Inline Booths:**

All inline booths must be conscious of the arrangement of display materials so as not to obstruct sight lines of neighboring exhibitors. The maximum height of 8 ft is allowed only in the rear half of the booth space, with a 3 ft (0.91m) height restriction



imposed on all materials in the remaining space forward to the aisle.

**Canopies and Ceilings**

Canopies, including ceilings, umbrellas and canopy frames, can be either decorative or functional (such as to shade computer monitors from ambient light or for hanging products). Canopies for Linear or Perimeter Booths should comply with line of sight requirements (see “Use of Space for Linear or Perimeter Booths”).

The base of the Canopy should not be lower than 7ft (2.13m) from the floor within 5 ft (1.52m) of any aisle. Canopy supports should be no wider than three inches (3”). This applies to any booth configuration that has a sightline restriction, such as a Linear Booth. Fire and safety regulations in many facilities strictly govern the use of canopies, ceilings and other similar coverings. Check with the appropriate local agencies prior to determining specific exhibition rules.

**Hanging Signs & Graphics**

Hanging signs and graphics may be permitted in Peninsula, Split Island, and Island Booths with Show Management and Venue approval, usually to a maximum height of 20 ft (4.88m). Whether suspended from above or supported from below, they should comply with all ordinary use-of-space requirements per the specific Venue Rules and Regulations (for example, the highest point of any sign should not exceed the maximum allowable height for the booth type).

Hanging Signs & Graphics should be set back 5 ft (1.52m) from adjacent booths. All hanging signage must remain within the footprint of your booth space. Approval for the use of Hanging Signs & Graphics should be received from Show Management at least 60 days prior to installation. Drawings must be available for inspection.

**Booth Backwall Overview**

The standard booth height limit at the Exhibition is eight (8) feet, but this limitation is also determined by Exhibitor's booth size and location on the floor. The following chart will show the acceptable heights. **However, any exhibit exceeding the regulated height restrictions (including signs) must be approved by PennWell regardless of booth size or location.** If an Exhibitor desires to exceed the standard heights or has a booth over 2,500 sq. ft. net you must submit a request in writing along with the booth design and dimensions of the proposed booth for approval to [Michael Donnell at michaeld@pennwell.com](mailto:michaeld@pennwell.com) , [Claudette Hultzer at claudetteh@pennwell.com](mailto:claudetteh@pennwell.com), 90 days out from the first move in day.

<u>Inline Booth</u>	<u>Perimeter Booth</u>	<u>Peninsulas</u>	<u>Island Booth</u>
8'	(against a wall)	8'	(aisles on all sides)
	12'		20' to Top of Structure
			<b>(Including Draping or structural walls)</b>

**\*All height restrictions are subject to physical limitations of the Exhibition hall. Prior to construction, Exhibitor has the responsibility to check on height capabilities for Exhibitor's assigned location.**

**Towers**

A Tower is a freestanding exhibit component separate from the main exhibit fixture. The height restriction is the same as that which applies to the appropriate exhibit configuration being used.

Towers in excess of 8 ft (2.44m) must have drawings available for inspection and have Show Management and Venue approval. Fire and safety regulations in many facilities strictly govern the use of towers. A building permit may be required.

**Columns**

Exhibits with a full column in the booth area may utilize the column to enhance the booth design, provided fire cabinets and strobe lights remain visible and accessible. Column widths vary in size and PennWell recommends that Exhibitor contact its Exhibitor Services Manager if Exhibitor has any questions. Exhibitor may use the columns to the maximum height within the perimeter of the booth only. Consult with the venue for specific measurements and location of columns



prior to installation. **Note: Columns with fire hoses will require special attention so that fire hoses remain accessible at all times.**

### ***Multi-story Exhibit***

A Multi-story Exhibit is a booth where the display fixtures exceed 12 ft (3.66m), including Double-decker and Triple-decker Booths. The city building department needs to issue a building permit based on an application and drawings prepared and submitted by a licensed architect or engineer. Exhibitors should obtain local building regulations early on to ensure that all time constraints are met.

Multi-storied Exhibits require approval from the following:

- PennWell Show Management to ensure compliance with display rules
- The General Service Contractor to ensure that there are no physical obstructions that will create problems during setup
- The exhibit facility and/or relevant local government agency because it is deemed to be a “structure” for building purposes.

The rules set in place by convention centers and their local fire marshals vary from city to city with regards to the level of fire alarms, sprinklers, extinguishers, etc, that are required in multi-story booths. Stamped engineering drawings will need to be submitted for approval by the fire marshal, PennWell, and the General Service Contractor will need a copy of the approved booth on file before booth construction may commence.

*• Please contact PennWell Show Management for additional information and if possible include drawings or renderings of the proposed design. Show Management will determine if the proposed design works with our display rules and will forward the design to the show’s General Service Contractor. The Contractor will work with the local fire marshal to give structural approval of the design.*

### ***Exhibit Space Lighting and Sound:***

- Without exception, all light and sound must be contained within, and directed into, the footprint of the contracted exhibit space.
- Additional lighting may be brought in for the exhibit space however this lighting must be restricted to the contracted exhibit space. Lighting should not shine onto the aisles or into a neighbor’s exhibit space.
- Sound must not be at a level that interferes with normal levels of communication in neighboring exhibit space and not exceed 75 decibels.

### ***Vehicles for Indoor Displays:***

Vehicles to be displayed indoors must adhere to the following guidelines and display will likely be inspected on-site by the local fire marshal.

- Gas tank must be no more than 1/8 full.
- Battery must be removed or disconnected.
- Gas tank must feature a locking cover or cover sealed with tape.
- Ignition keys removed.
- Propane or similar compressed gas tanks removed.
- A fire extinguisher must be present in any booth featuring a display vehicle.
- *Other guidelines may apply depending on the individual Venue Rules and Regulations.*

### ***Balloons (Static and Controlled):***

- Balloons filled with helium or hydrogen are not permitted (tethered or un-tethered, controlled or stationary)
- Balloons filled with air may be suspended from the ceiling in exhibits with a minimum size of 400sqft (36sqm), pending Venue approval. In this instance, these will be treated as hanging signs. Please refer to hanging sign rules in this document for additional information. This should be designed so that the balloon is stationary and will not sway in the airflow of open doors or air conditioning.



- *Other guidelines may apply depending on the individual Venue Rules and Regulations.*

### ***Structural Integrity:***

- All exhibit displays should be designed and erected in a manner that will withstand normal contact or vibration caused by neighboring exhibitors, hall laborers, or installation/dismantling equipment, such as fork- lifts. Displays should also be able to withstand moderate wind effects that may occur in the exhibit hall when freight doors are open.
- Exhibitors should ensure that any display fixtures such as tables, racks, or shelves are designed and installed properly to support the product or marketing materials to be displayed

### ***Flammable and Toxic Materials:***

- All materials used in display construction or decorating should be made of fire retardant materials and be certified as flame retardant.
- Exhibitors should be aware of local regulations regarding fire/safety and environment which must be adhered to.
- Exhibitors should dispose of any waste products they generate during the exhibition in accordance with guidelines established by the Environmental Protection Agency and the facility.

### ***Electrical:***

- All 110-volt wiring should be grounded three-wire.
- Wiring that touches the floor should be "SO" cord (minimum 14-gauge/three-wire) flat cord, which is insulated to qualify for "extra hard usage."
- Cord wiring above floor level can be "SJ" which is rated for "hard usage."
- Using zip cords, two-wire cords, latex cords, plastic cord, lamp cord, open clip sockets, and two wire clamp-on fixtures is not recommended and is often prohibited. Cube taps are prohibited.
- Power strips (multi-plug connectors) should be UL approved, with built-in over-load protectors.

### ***Conducting Business outside of Exhibit Space:***

- Distributing literature or promotional items outside of the contracted booth space is prohibited. If additional space is needed, please contact exhibit sales rep to purchase additional exhibit hall floor space.

### ***Compliance with Laws***

Exhibitor shall observe and abide by all applicable federal, state, and local laws, codes, ordinances, rules, and regulations, as well as all rules and regulations of PennWell and the Exhibition hall. Exhibitor shall conduct itself, and shall require its agents, employees, independent contractors, and representatives, to conduct themselves, at all times in accordance with customary standards of decorum and good taste in the industry.

### ***Copyrighted Materials***

Exhibitor agrees not to play, broadcast, perform, or distribute any copyrighted material owned by others without first obtaining (at its own expense) all necessary rights and licenses and paying in full all required royalties or other fees.

### ***Exhibit Activities/Demonstrations***

"Live" demonstrations and costumed characters for the purpose of promoting Exhibitor's products will be permitted on the Exhibition floor only within the confines of Exhibitor's booth. Exhibitor shall not conduct any activities in aisles or in space other than Exhibitor's booth space. All sound amplification devices and other sound-producing equipment and activities shall be limited to reasonable volume levels (**no louder than 75 decibels**) which shall not project beyond the boundaries of exhibitor's booth space or otherwise interfere with the exhibition or other exhibitors' activities. An audiometer may be used to measure sound levels. PennWell reserves the right to bar or eject Exhibitor from the Exhibition and/or close Exhibitor's booth for failure to comply with any provision of the Agreement.

### ***No Assignment***

Exhibitor understands and agrees that it may not assign the Agreement, in whole or in part, or any rights thereunder to any third-party without the prior written permission of PennWell. In addition, Exhibitor is not authorized and has no right to

sublet any portion of its exhibit space or booth without the prior written permission of PennWell.

### ***Limited License in Exhibitor's Name***

Exhibitor grants to PennWell a fully-paid, perpetual, worldwide, non-exclusive license to use, display, and reproduce (in print, electronically, or otherwise) Exhibitor's name, trade names, logos, and product names in any listing of those companies exhibiting at or registered to exhibit at the Exhibition and in Exhibition promotional materials. In addition, Exhibitor authorizes PennWell to take photographs of Exhibitor's booth, exhibit, and staff during, before, or after the Exhibition and to use such photographs for any legitimate promotional purpose of PennWell.

### ***Booth Storage:***

- Materials may be stored behind your booth during the show however all materials stored must be masked/covered so they are not visible. A drape or cover may be ordered through the General Services Contractor.

### ***Unsightly Booths***

Any unsightly booth areas must be masked off by Exhibitor. This is commonly done with drape. PennWell, in its sole discretion, will determine whether or not booths are unsightly or have unsightly areas

**PLEASE NOTE:** If using a non-official contractor to set-up and/or dismantle your exhibit, the required form to request for set-up by non-official contractor along with the Certificate of Insurance naming the Official General Contractor as an additional insured, must be received by the specified deadline in the Exhibitor Manual. Otherwise labor will have to be hired from the General Contractor by the non-official contractor in order for them to supervise your exhibit. These stipulations are strictly enforced to protect you, show management and the General Contractor.

***Pictures below represent unsightly booth storage and booth displays that are not allowed.***



***\*unsightly booth storage***



***\*unsightly booth storage***



*\*conducting business outside of exhibit space*



*\*unsightly booth storage*



*\*unauthorized storage & exposed backwall*



*\*exposed backwalls should be dressed in plain or neutral color*

Thank you for adhering to these display rules. Please do not hesitate to contact one of your [Exhibitor Services Managers, Michael Donnell at michaeld@pennwell.com](mailto:michaeld@pennwell.com), [Claudette Hultzer at claudetteh@pennwell.com](mailto:claudetteh@pennwell.com), if you have any questions regarding your exhibit. If possible, please include a graphic of your booth design with your email to assist us in answering your questions quickly and accurately.